



LOAD BARS
WIRED
WIRELESS

Instructions - ENG

Instrucciones para la instalación - ESP

Instruções - POR

PUBLISHED BY
Gallagher Group Limited
181 Kahikatea Drive, Private Bag 3026
Hamilton, New Zealand

www.gallagher.com
Copyright© Gallagher Group Limited 2024
All rights reserved. Patents pending.

Gallagher Load Bar User Manual

3E1045 - Edition 21 - January 2024

DISCLAIMER: Whilst every effort has been made to ensure accuracy, neither Gallagher Group Limited nor any employee of the company shall be liable on any ground whatsoever to any party in respect of decisions or actions they may make as a result of using this information.

In accordance with the Gallagher policy of continuing development, design and specifications are subject to change without notice. Developed and manufactured by Gallagher Group Limited, and ISO 9001:2015 Certified Supplier.

Contents

Introduction	1
Selecting a location	1
Locating the Scale	1
Setting up Wireless Load bars	2
Locating the Load Bars	3
Installing the Load bars	4
Care and maintenance	6
Using the Wireless Load bars	7
The Animal Performance App	7
Connecting the Wireless Load Bars to a W-1 or TW scale	8
Connecting the Wireless Load Bars to the App	9
Specifications - Wired Load bars	10
Gallagher Wired Load Bar sets	10
Cables.....	10
Environmental.....	10
Dimensions - 1500 kg Load Bars.....	11
Dimensions - 2500 kg Standard Load Bars	12
Dimensions - 5000 kg Heavy Duty Load Bars.....	13
Specifications - Wireless Load bars.....	14
Gallagher Wireless Load Bar sets	14
Environmental.....	14
Dimensions - 2500 kg Standard Wireless Load Bars	15
Dimensions - Heavy Duty (5000kg) Wireless Load Bars.....	16

Español

Introducción	17
Seleccionando un lugar	17
Posición de la balanza	17
Configuración de barras de carga inalámbricas.....	18
Posición de las barras de carga.....	19
Instalación de las barras de carga.....	20
Cuidado y mantenimiento	22
Uso de las barras de carga inalámbricas.....	23
La aplicación Animal Performance	23

Conexión de las barras de carga a una balanza W-1 o TW	24
Conexión de las barras de carga inalámbricas a la aplicación	25
Especificaciones - Barras de Carga Alámbricas	26
Conjuntos de barras de carga alámbricas Gallagher	26
Cables.....	26
Ambiental.....	26
Dimensiones - Barras de carga 1500 kg.....	27
Dimensiones de barras de carga-de 2500 kg (Estándar)	28
Dimensiones - Barras de carga de 5000 kg (Reforzado)	29
Especificaciones - Barras de carga inalámbricas	30
Conjuntos de barras de carga inalámbricas Gallagher	30
Ambiental.....	30
Dimensiones: barras de carga inalámbricas de 2500 kg.....	31
Dimensione: barras de carga inalámbricas de 5000 kg (Reforzado).....	32

Portugêus

Introdução.....	33
Selecionando um local.....	34
Posicionando a Balança.....	34
Configurando a Barra de Carga Sem Fio	35
Posicionando as Barras de Carga.....	36
Instalando as Barras de Carga	37
Cuidados e Manutenção.....	39
Usando as Barras de Carga Sem Fio.....	40
O aplicativo Performance Animal.....	40
Conectando a barra de carga sem fio a uma balança W-1 ou TW.....	41
Conectando a barra de carga sem fio ao aplicativo.....	42
Especificações - Barras de carga com fio	43
Conjuntos de Barras de Carga Gallagher	43
Cabos	43
Ambiente	43
Dimensões - Barras de carga com fio de 1500 kg.....	44
Dimensões - Barras de carga padrão de 2500 kg.....	45
Dimensões - Barras de carga pesadas de 5000 kg	46
Especificações - Barra de carga sem fio	47
Conjuntos de Barras de Carga Gallagher	47
Ambiente	47
Dimensões - Barra de carga sem fio de 2500 kg.....	48
Dimensões - Barra de carga sem fio de 5000 kg.....	49

INTRODUCTION

Thank you for purchasing a Gallagher load bar set. Gallagher has been making agricultural weighing equipment for over 20 years and in that time have earned a reputation for quality equipment that withstands tough agricultural conditions.

The Gallagher range of weighing systems is simple, tough, innovative and reliable.

All of the Scales in the Gallagher range can be matched to a choice of load bars, as well as a range of platforms and crates to make an accurate and reliable weighing system.

Although designed specifically for agriculture, the Gallagher range is also suited to many industrial applications.

Gallagher WeighScale and Load bars are not certified for trade use.

SELECTING A LOCATION

Careful preparation of the site is essential if accurate weighing is to result. You need to decide where both the Scale and load bars will be set up.

For Wired Load Bars: The maximum distance separating the load bars and Scale will be determined by the length of the load bar cables. Choose a route for the cables that ensures they will not be subjected to mechanical damage.

For Wireless Load Bars: The load bars can be situated up to 10 metres from where the Scale will be operated. This distance will depend on whether there is a clear signal path between the load bars, and the Scale or mobile device, for uninterrupted connectivity.

Important:

This product is not suitable for use in harsh or corrosive environments (e.g. piggery installations or similar).

Locating the Scale

Keep the following points in mind when choosing a place for the Scale.

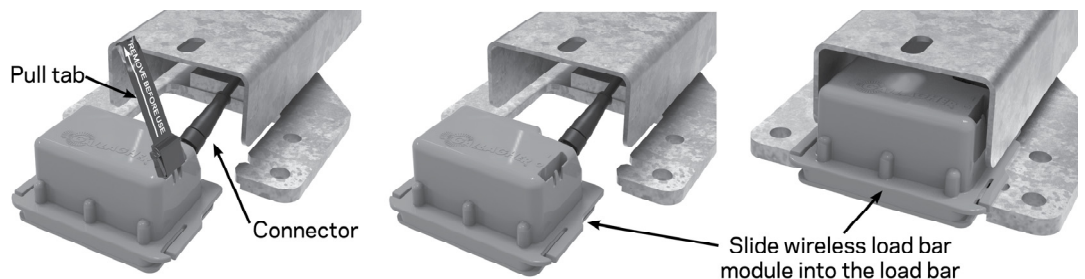
- Do not mount the Scale on the crate.
- Ensure the Scale and its operator do not interfere with the flow of animals.
- Ensure that there is adequate light to read the Scale's screen.
- If you expect to weigh manually, keep the Scale close enough to the crate so that the crate's barrier controls can be easily reached.

SETTING UP WIRELESS LOAD BARS

1. Remove the protective cover from the end of the connector plug extending from one end of each load bar.
2. Plug each orange wireless load bar module into the extending connector plug.
3. Remove the pull tab from the module. Removing the pull tab turns the module on prior to first time use. The module will then remain switched on for the life of the product.

Note: Wireless load bar modules can be connected either before or after installing the load bars. Refer to *Installing the Load Bars* (p 4) for information on how to mount the load bars on a platform.

4. Slide the wireless module into the load bar until it clicks into place.



The wireless load bars are now ready for operation with:

- the Gallagher Animal Performance App on your mobile device, or
- the Gallagher W-1 and TW range of scales.

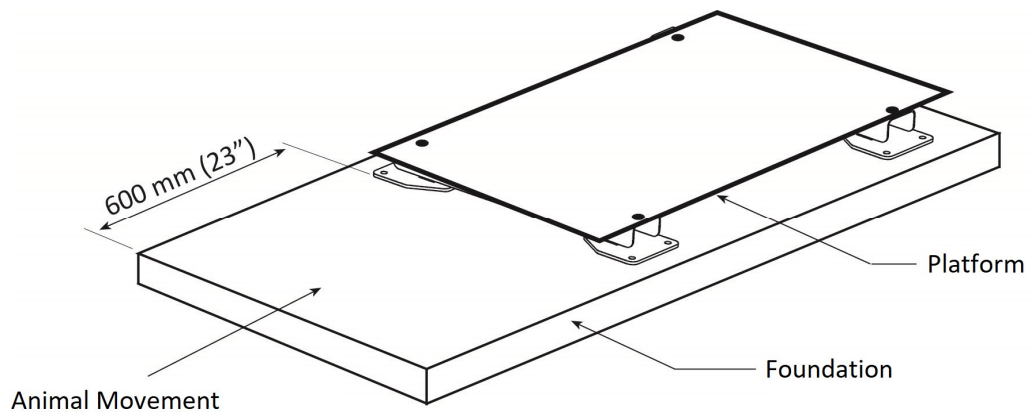
LOCATING THE LOAD BARS

Keep the following points in mind when choosing a place for the load bars.

- Mount the load bars and platform clear of obstructions such as fence posts.
- The site must be level.
- Provide a foundation. A concrete pad is recommended. Load bars can be mounted on a heavy board.

Hint: Construct the foundation so that it extends at least 600 mm (23 inches) before the platform. This will force the animals to step onto the foundation before moving on to the weighing platform and will reduce the amount of dirt, mud, or debris carried onto the platform.

- Don't recess the load bars into troughs in the foundation. The troughs are likely to fill with water and mud.



Note:

Mounting the load bars on an uneven surface or failing to adequately secure the platform may result in weighing errors.

INSTALLING THE LOAD BARS

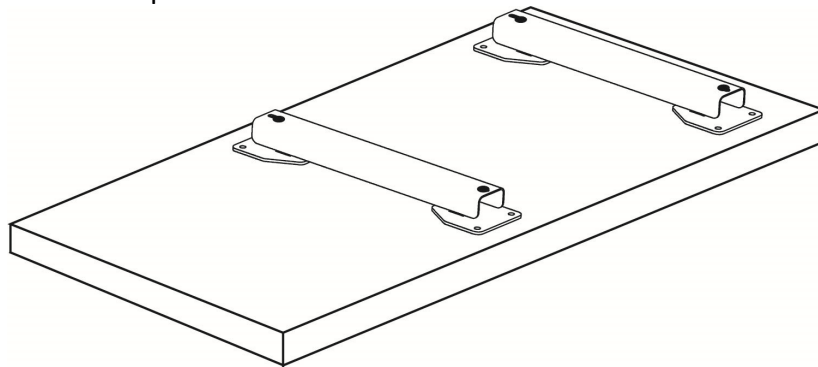
Note: Do not use an arc welder on either the platform or the load bars. Use of an arc welder may damage the load cells.

1. Position the load bars on the foundation to suit the platform or crate. The load bars should be located as close as possible to the ends of the platform or crate.



Important for Wireless Load Bars:

For reliable communications the wireless module (orange box) end of the load bars, must be on the same side of the platform/ cattle handler that faces the operator.

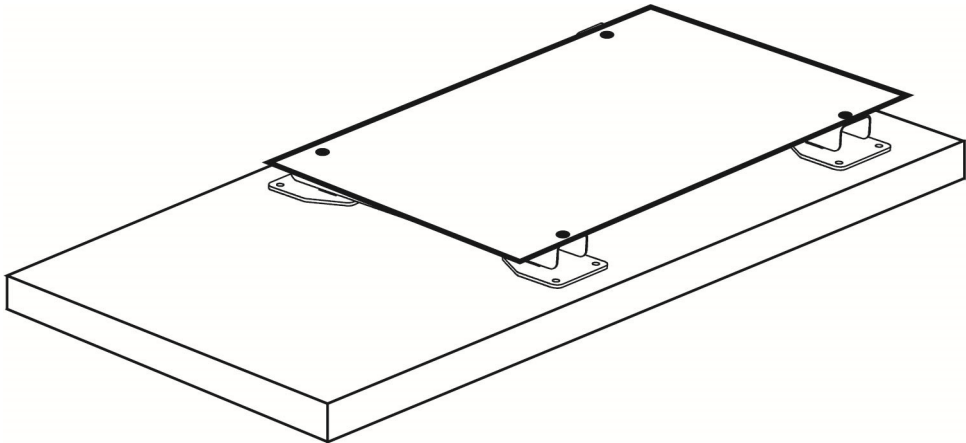


2. Ensure that the load bar feet sit flat on the board or concrete pad.
3. It is recommended that the load bars are secured to the foundation. To secure the load bars, follow these steps.
 - Mark the load bar feet holes on the foundation.
 - Drill and fit fasteners to suit the type of foundation. Dynabolts can be used with concrete foundations; bolts, nuts and washers can be used with board foundations.
 - Tighten the fasteners to secure the load bars to the foundation.

Note:

Ensure that the load bar chassis does not twist or distort as the fasteners are tightened. If the load bar feet do not sit flat on the foundation, grout or pack the surface to suit.

- 4. Attach the crate or platform to the load bars using the fasteners supplied.



CARE AND MAINTENANCE

Gallagher load bars are designed for use in a livestock environment and are therefore tough and reliable. However proper care and maintenance can extend their life.

Note: This product is not suitable for use in harsh or corrosive environments (e.g. piggery installations or similar)

Below is a list of tips and guidelines for maintaining load bars.

- Although Gallagher load bars are waterproof, it is recommended that they are not submerged in water.
- Cables should be positioned so they will not be stepped on or crushed. Run the cables through a duct to prevent damage.
- To prevent dust or moisture from entering the cables, replace the dust caps immediately after the load bar plugs are disconnected from the Scale,
- Any load bars with damaged cables should be returned to a Gallagher Service Centre for repair. Split or damaged cables can affect the performance of the load bars. If emergency repairs need to be carried out, the damaged cable should be wrapped with insulating tape.
- The platform and load bars should be cleaned up after use. Hose off all dirt and mud to prevent corrosion.

Important: When cleaning the load bars, do NOT direct a water blaster in the load cell area.

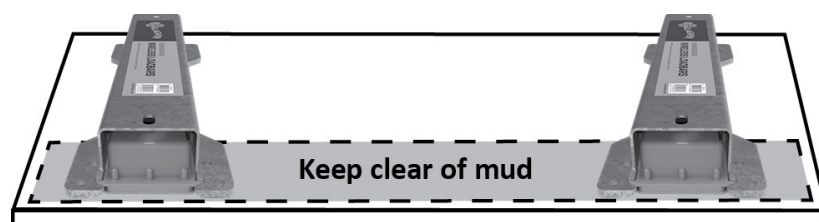
- If the load bars are not permanently installed, they should be stored in a dry place.

Hint: Cut the top off a large plastic container, e.g. drench container. Nail the container upside down (i.e. with the opening at the bottom) in the race.

When the load bar cables are not in use, they can be coiled up and hung on a nail inside the container.

Important for Wireless Load Bars:

- ⚠ Keep the wireless load bar modules and the ground area between the load bar modules, clear of mud and debris.



USING THE WIRELESS LOAD BARS

The Gallagher wireless load bars can be used with:

- the Animal Performance App on your mobile phone or tablet, using an Animal Performance **Plus** subscription, or
- the Gallagher W-1 and TW range of scales.


The Animal Performance App

Using a mobile or tablet:

1. Search for and install the Gallagher Animal Performance App from Google Play or the App Store.



2. Log in to your existing Gallagher account or select **Sign Up Now** to create an account on the mobile App by following the on-screen prompts.

 **Important:** If you already have an Ag Devices account for your fence, or a log-in for our website please use that.

3. Subscribe to Animal Performance **Plus** to connect to the wireless load bars.

Wireless Load bar Firmware Upgrades

Ensure the wireless load bars have the latest firmware installed.

Note: An Animal Performance Plus subscription is *not* required to update the firmware.

1. On your mobile App, select **Menu > Device Configuration**. The app will start searching for the load bars.
2. When located, select the wireless load bars and **Connect**.
Note: The connection process can take up to 30 seconds while pairing between the load bars and the mobile App is made.
3. If an update is required, follow the on-screen prompts.

Connecting the Wireless Load Bars to a W-1 or TW scale

1. On your scale, select **Settings > Equipment Connections > Load bars** and choose **Wireless**. The scale will start searching for the load bars.
2. When located, select the wireless load bars and **Connect**.
Note: The connection process will take up to 30 seconds while pairing between the load bars and the scale.
3. Once connected, select **Done**. When the wireless load bars are connected to the scale, the Bluetooth® icon at the bottom of the screen is activated and turns orange.
4. Create a new session, by selecting **New > Quick Start**. The current weight will display as 0.0kg. If it's not 0.0, press the **Zero** button. Apply some weight to the bars to confirm the connection is working.

Connecting the Wireless Load Bars to the App

1. Open the Animal Performance App and select **New Session**.
This will create a new session so you can receive weights from the wireless load bars.
2. Enter a name for the new session, (you could also choose to draft by weight if required) and select **Done**.
3. The App will then search for the wireless load bars. When found, the **GGL wireless L/bar** icon appears on your screen.
4. Select on the icon, then choose **Connect** at the bottom of the screen.
Note: The connection process will take up to 30 seconds while pairing between the load bars and the mobile App is made.
5. Once connected, the current weight will display as 0.0kg. If it's not 0.0, press the **Zero** button.
Apply some weight to the bars to confirm the connection is working.
6. You can now start weighing with your wireless load bars.

Note: The default weighing setting is kg. You can easily change this to pounds from the Main screen, by selecting **Menu > Settings >** then slide the **Weight Units** from kg to lb.



SPECIFICATIONS - WIRED LOAD BARS

Gallagher Wired Load Bar sets

The following specifications apply to a set of two load bars.

1500 kg load bar set	
Overall length	580 mm (22.83 inches)
Weight (including cables)	17 kg (38 lb)
Capacity:	1500 kg (3300 lb)

2500 kg load bar set (Standard)	
Overall length:	660 mm (25.98 inches); or 1060 mm (41.73 inches)
Weight (including cables)	17 kg (38 lb)
Capacity:	2500 kg (5500 lb)

5000 kg load bar set (Heavy Duty)	
Overall length	1060 mm (41.73 inches)
Weight (including cables)	55 kg (122 lb)
Capacity:	5000 kg (11000 lb)

Cables

Length: 6 m (19.6 feet)

Environmental

Operating temperature:	-20 to 50°C	-4 to 122°F
------------------------	-------------	-------------

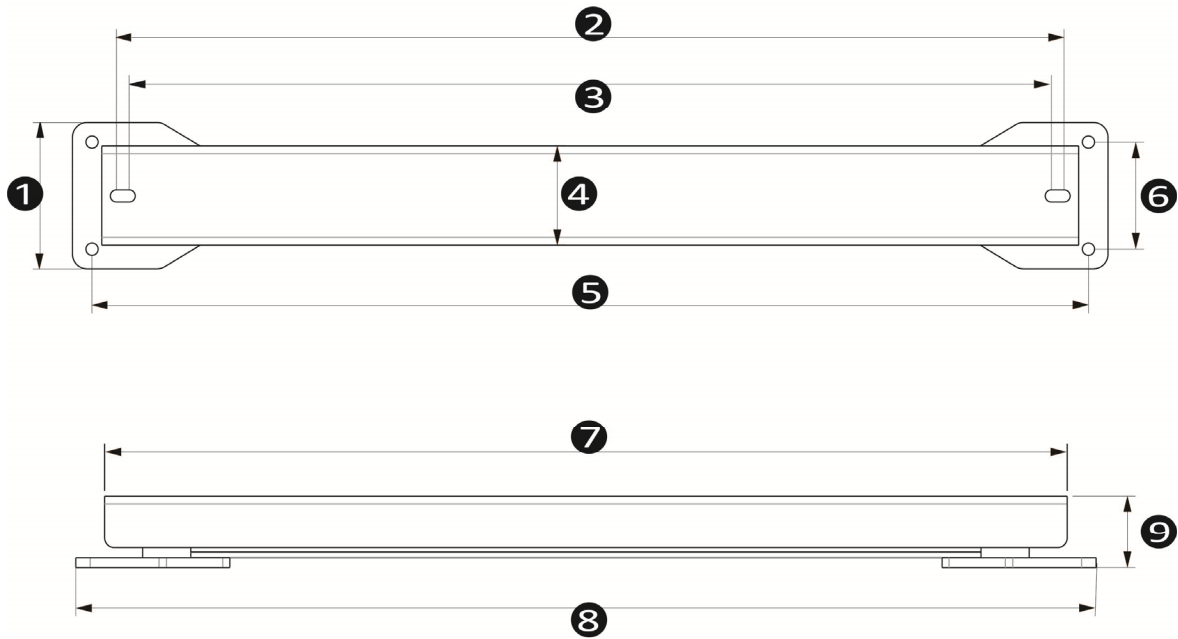
Dimensions - 1500 kg Load Bars



	(mm)	(inches)
1	125	4.92
2	580	22.83
3	480	18.90
4	558	21.97
5	95	3.74

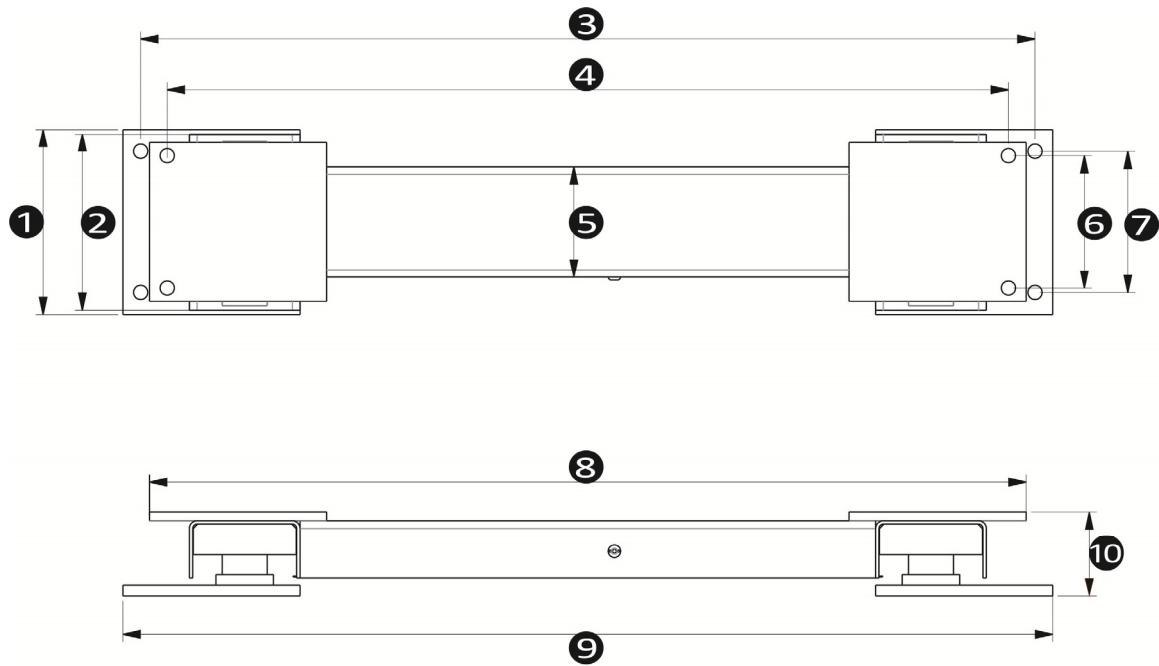
Height	95	3.74
--------	----	------

Dimensions - 2500 kg Standard Load Bars



	600 mm (23-inch) Load Bar		1000 mm (39-inch) Load Bar	
	(mm)	(inches)	(mm)	(inches)
1	150	5.91	150	5.91
2	570	22.44	970	38.19
3	544	21.42	944	37.17
4	102	4.02	102	4.02
5	620	24.41	1020	40.16
6	110	4.33	110	4.33
7	600	23.62	1000	39.37
8	660	25.98	1060	41.73
9	75	2.95	75	2.95

Dimensions - 5000 kg Heavy Duty Load Bars



	(mm)	(inches)
1	210	8.27
2	200	7.87
3	1010	39.76
4	950	37.4
5	102	4.02
6	150	5.91
7	160	6.3
8	990	38.98
9	1050	41.34
10	95.1	3.74

SPECIFICATIONS - WIRELESS LOAD BARS

Gallagher Wireless Load Bar sets

The following specifications apply to a set of two load bars.

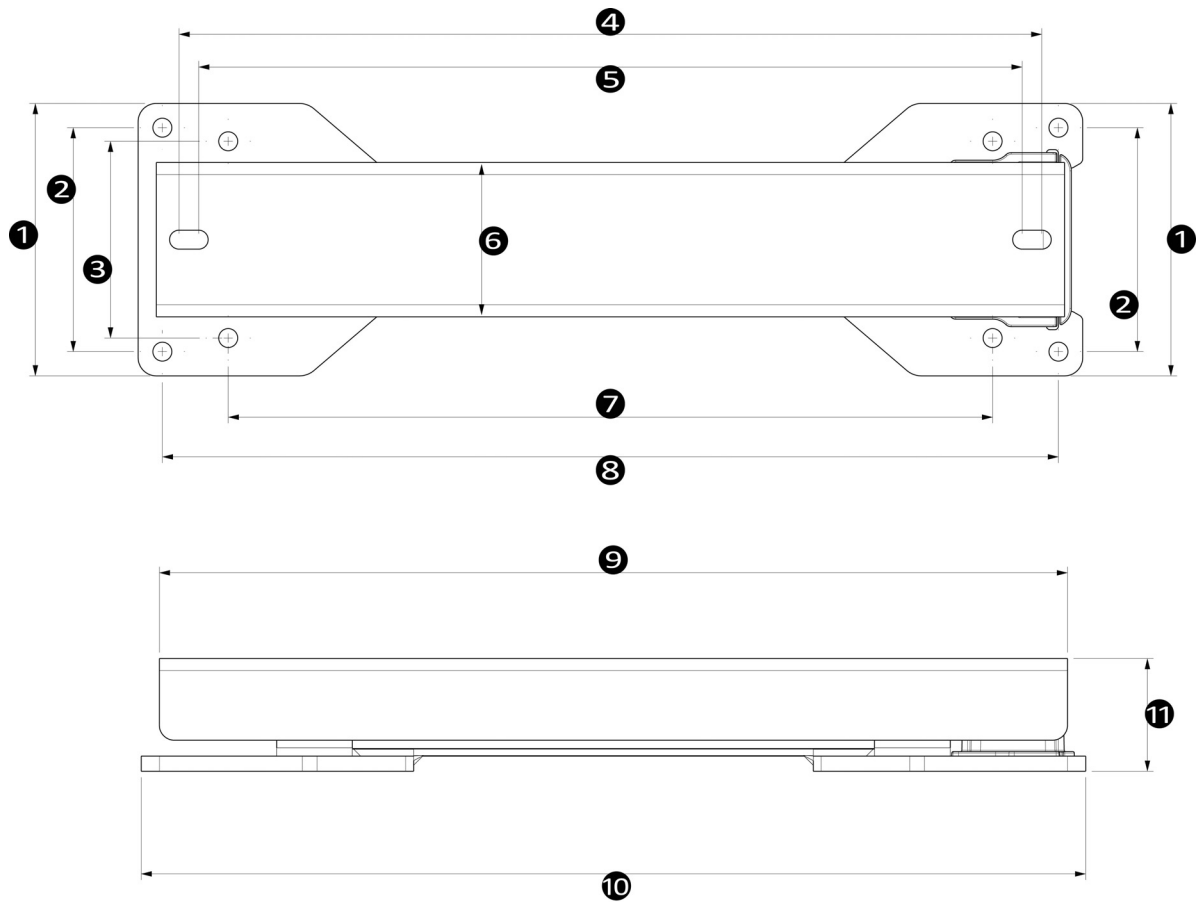
2500 kg Load Bar set (Standard)	
Overall length:	660 mm (25.98 inches); or 1060 mm (41.73 inches)
Weight (including cables)	600 mm bars - 17 kg (38 lb) 1000 mm bars - 25 kg (55 lb)
Capacity:	2500 kg (5500 lb)

5000 kg Load Bar set (Heavy Duty)	
Overall length	1060 mm (41.73 inches)
Weight (including cables)	55 kg (122 lb)
Capacity:	5000 kg (11000 lb)

Environmental

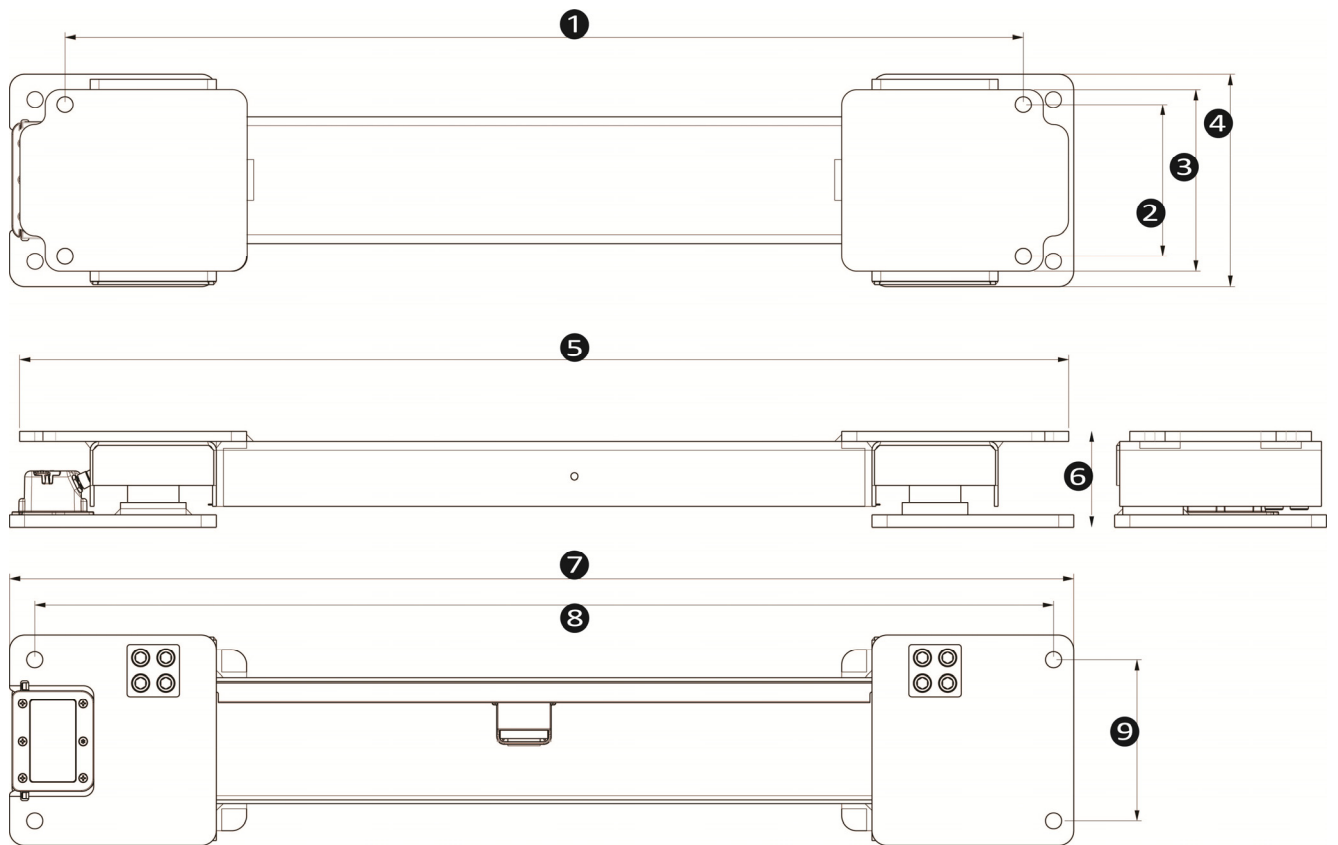
Operating temperature:	-20 to 50°C	-4 to 122°F
------------------------	-------------	-------------

Dimensions - 2500 kg Standard Wireless Load Bars



	600 mm (23-inch) Load Bar		1000 mm (39-inch) Load Bar	
	(mm)	(inches)	(mm)	(inches)
1	180	7.08	180	7.08
2	148	5.82	148	5.82
3	130	5.12	130	5.12
4	570	22.44	970	38.19
5	544	21.42	944	37.17
6	102	4.02	102	4.02
7	505	19.88	905	35.63
8	592	23.30	992	39.05
9	600	23.62	1000	39.37
10	624	24.57	1024	40.31
11	75	2.95	75	2.95

Dimensions - Heavy Duty (5000kg) Wireless Load Bars



	(mm)	(inches)
1	950	37.40
2	150	5.90
3	180	7.08
4	210	8.27
5	1040	40.94
6	148	5.82
7	1055	41.53
8	1010	39.76
9	180	7.08

INTRODUCCION

Gracias por comprar el set de barras de carga Gallagher. El Grupo Gallagher ha producido equipos agrícolas para pesada por más de 20 años y es reconocido por la calidad de sus equipos que soportan nuestras condiciones agrícolas más difíciles.

La gama de sistemas de pesaje Gallagher es simple, resistente, innovadora y confiable.

Todas las balanzas en la gama de Gallagher pueden ser acopladas a diversos sistemas de barras de carga, así como a una gama de plataformas y jaulas para obtener un sistema de pesada precisa y confiable.

Aunque diseñada específicamente para la ganadería, la gama Gallagher es también apropiada para muchas aplicaciones industriales.

Las balanzas de pesaje, así como las barras de carga Gallagher no están certificadas para uso comercial.

SELECCIONANDO UN LUGAR

Una preparación minuciosa del lugar es esencial para un pesaje preciso. Debe decidir donde poner la balanza y las barras de carga.

Para barras de carga alámbricas: La distancia máxima que separe las barras de carga y la balanza se determinará según el largo de los cables de las barras de carga. Seleccione una ruta para los cables que asegure que no estarán sujetos a daños mecánicos.

Para barras de carga inalámbricas: Las barras de carga pueden situarse a una distancia de hasta 10 metros del lugar donde se va a utilizar la balanza. Esta distancia dependerá de si hay una ruta de señal clara entre las barras de carga y la balanza o el dispositivo móvil para una conectividad ininterrumpida.

Importante:

Este producto no es apto para ser utilizado en entornos hostiles o corrosivos (por ejemplo crianzas de cerdos o similares).

Posición de la balanza

Considere los siguientes puntos al elegir un lugar para posicionar la balanza.

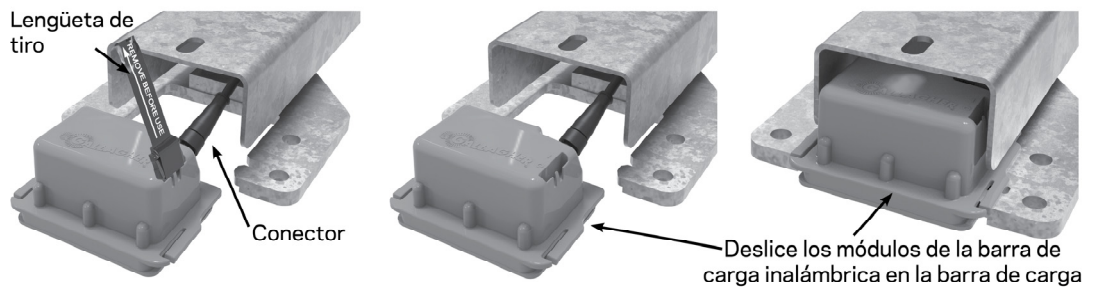
- No monte la balanza sobre la jaula.
- Asegúrese que la balanza y el operador de ésta no interfiera con el flujo de los animales.
- Asegúrese que hay luz adecuada para leer la pantalla de la balanza.
- Si espera pesar manualmente, mantenga la balanza cerca de la jaula para que los controles de barrera de la jaula puedan ser fácilmente alcanzados.

CONFIGURACIÓN DE BARRAS DE CARGA INALÁMBRICAS

1. Retire la cubierta protectora del extremo de la clavija del conector que sale de un extremo de cada barra de carga.
2. Enchufe cada módulo de barra de carga inalámbrica de color naranja en la clavija del conector extensible.
3. Retire la lengüeta de extracción del módulo. Al quitar la lengüeta de tiro, se encenderá el módulo por primera vez. El módulo permanecerá entonces encendido durante la vida útil del producto.

Nota: Los módulos de barra de carga inalámbrica se pueden conectar antes o después de instalar las barras de carga. Vaya a *Instalación de las barras de carga* (p 20) para obtener información sobre cómo montar las barras de carga en una plataforma.

4. Deslice el módulo inalámbrico en la barra de carga hasta que encaje en su sitio.



Las barras de carga inalámbricas ya están listas para funcionar con:

- la aplicación Gallagher Animal Performance en su dispositivo móvil, o
- la gama de balanzas Gallagher W-1 y TW.

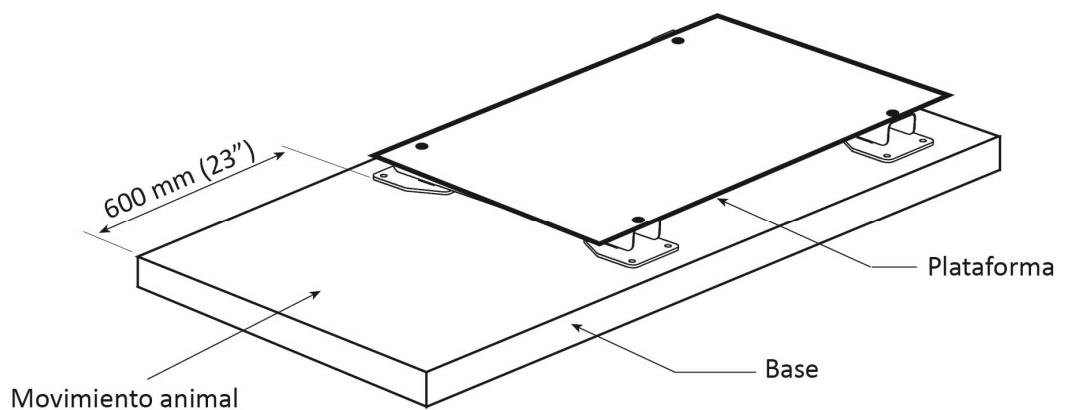
POSICIÓN DE LAS BARRAS DE CARGA

Considere los siguientes puntos al elegir un lugar para posicionar las barras de carga.

- Montar las barras de carga y la plataforma lejos de obstrucciones como los postes de los cercos.
- El lugar debe estar nivelado.
- Crear una base. Se recomienda el uso de una plataforma de hormigón. Las barras de carga pueden ser montadas sobre una tabla gruesa.

Consejo: Construya la base de manera que se extienda al menos 600 mm (23 pulgadas) antes de la plataforma. Esto forzará a los animales a pisar la base antes de dirigirse a la plataforma de pesaje y, a su vez, reducirá la cantidad de tierra, lodo, o escombros sobre la plataforma.

- No empotre las barras de carga en los comederos de la base. Es probable que los comederos se llenen de agua y lodo.



Montar las barras de carga en una superficie irregular o no asegurar adecuadamente la plataforma puede dar lugar a errores de pesaje.

INSTALACIÓN DE LAS BARRAS DE CARGA

Nota:

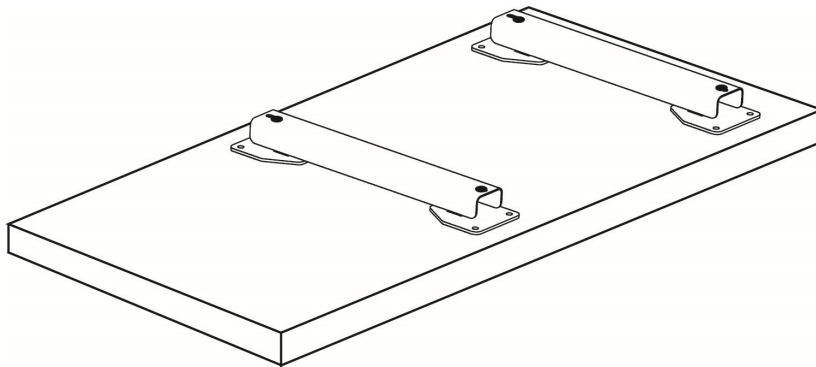
Evite el uso de soldaduras al arco en la plataforma o en las barras de carga. El uso de soldaduras al arco puede dañar las celdas de carga.

1. Posicione las barras de carga en la base para encajar la plataforma o jaula. Las barras de carga deben estar lo más cerca posible de los extremos de la plataforma o jaula.



Importante para barras de carga inalámbricas :

Para obtener comunicaciones fiables, el extremo de las barras de carga con el módulo inalámbrico (caja naranja) debe estar del mismo lado de la plataforma / manipulador de ganado que mira hacia el operador.

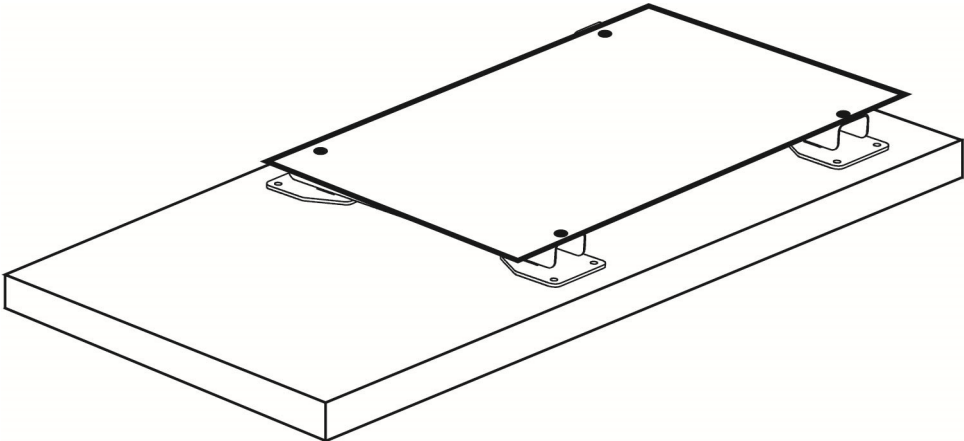


2. Asegúrese que los extremos de las barras de carga queden lisos en la tabla o bloque de hormigón.
3. Se recomienda fijar las barras de carga a la base. Para asegurar las barras de carga, siga estos pasos.
 - Marque los orificios de los extremos de las barras de carga sobre la base.
 - Perfore e inserte seguros en las barras según el tipo de base. Se pueden utilizar pernos de anclaje para las bases de hormigón; pernos, tuercas y arandelas pueden utilizarse con bases de madera.
 - Apriete los seguros para asegurar las barras de carga a la base.

Nota:

Asegúrese de que el chasis de la barra de carga no se tuerza o deforme a medida que los seguros son apretados. Si los pies de las barras de carga no yacen planos en la base, anclar o compactar la superficie según sea necesario.

- 4. Adjunte la jaula o plataforma a las barras de carga utilizando los seguros incluidos.



CUIDADO Y MANTENIMIENTO

Las barras de carga Gallagher están diseñadas para ser utilizadas en un entorno ganadero, por ende son resistentes y confiables. Sin embargo, el cuidado y mantenimiento apropiado puede prolongar más su vida útil.

Nota: Este producto no es apto para ser utilizado en entornos hostiles o corrosivos (por ejemplo crianzas de cerdos o similares).

A continuación se detalla una lista de directrices a seguir para la mantención de barras de carga.

- A pesar de que las barras de carga Gallagher son impermeables, se recomienda no sumergirlas en el agua.
- Los cables deben ser posicionados de tal manera en que no sean pisados o aplastados. Pasar los cables a través de un ducto para prevenir daños.
- Para prevenir la exposición de polvo o humedad en los cables, reponer las tapas guarda polvo apenas se hayan desconectado los tapones de las barras de carga de la balanza.
- Cualquier barra de carga con cables dañados debe ser llevada a un centro de servicio Gallagher para su reparación. Los cables partidos o dañados pueden afectar el rendimiento de las barras de carga. Si deben llevarse a cabo reparaciones de emergencia, el cable dañado debe ser forrado con cinta aislante.
- La plataforma y las barras de carga deben ser limpiadas una vez finalizado su uso. Utilice una manguera para quitar el polvo, lodo, etc. para prevenir la corrosión.

Importante: al limpiar las barras de carga, evitar el uso de chorros de agua en la celda de carga.

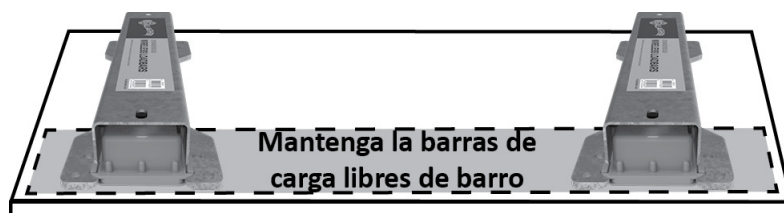
- Si las barras de carga no están instaladas permanentemente, deben ser almacenadas en un lugar seco.

Consejo: Recorte la parte superior de un contenedor de plástico grande, como por ejemplo un contenedor de agua. Fijar el contenedor boca abajo (con la abertura en la parte inferior) cerca de la balanza.

Cuando los cables no estén en uso, pueden ser enrollados y colgados desde un clavo dentro del contenedor.

Importante para las barras de carga inalámbricas:

- ⚠ Mantenga los módulos de la barra de carga inalámbrica y la zona del suelo entre los módulos de la barra de carga, libres de barro y escombros.



USO DE LAS BARRAS DE CARGA INALÁMBRICAS

Las barras de carga inalámbricas Gallagher se pueden utilizar con:

- la aplicación Animal Performance en su celular o tablet, utilizando una suscripción a Animal Performance **Plus** o
- la gama de balanzas Gallagher W-1 y TW.

La aplicación Animal Performance

Uso de un celular o tablet:

1. Busque e instale la aplicación **Gallagher Animal Performance** en Google Play o en la App Store.



2. Acceda a su cuenta Gallagher existente o seleccione **Sign Up Now** para crear una cuenta en la aplicación móvil siguiendo las indicaciones en pantalla.



Importante: si ya tiene una cuenta de Ag Devices para su cerca, o un inicio de sesión para nuestro sitio web, utilícela.

3. Suscríbese a Animal Performance **Plus** para conectarse a las barras de carga inalámbricas.

Actualizaciones del firmware de las barras de carga inalámbricas

1. Asegúrese de que las barras de carga inalámbricas tienen instalado el último firmware.
Nota: *No* se requiere una suscripción a Animal Performance Plus para actualizar el firmware.
2. En la aplicación de su teléfono móvil, seleccione **Menu > Device Configuration**. La aplicación comenzará a buscar las barras de carga.
3. Al localizarlas, seleccione las barras de carga inalámbricas y **Connect**.
Nota: el proceso de conexión durará hasta 30 segundos mientras se realiza el emparejamiento entre las barras de carga y la aplicación móvil.
4. Si se requiere una actualización, siga las indicaciones en pantalla.

Conexión de las barras de carga a una balanza W-1 o TW

1. En su báscula, seleccione **Configuración > Conexiones del equipo > Barras de carga** y seleccione **Inalámbrico**. La balanza comenzará a buscar las barras de carga.
2. Al localizarlas, seleccione las barras de carga inalámbricas y **Conectar**.
Nota: el proceso de conexión tardará hasta 30 segundos mientras se realiza el emparejamiento entre las barras de carga y la balanza.
3. Una vez conectado, seleccione **Listo**. Cuando las barras de carga inalámbricas están conectadas a la balanza, el icono de Bluetooth® de la parte inferior de la pantalla se activa y se torna naranja.
4. Para crear una nueva sesión, seleccione **Nuevo > Inicio rápido**. El peso actual se mostrará como 0,0 kg. Si no es 0,0, pulse el botón **Cero**. Aplique algo de peso a las barras para confirmar que la conexión está funcionando.

Conexión de las barras de carga inalámbricas a la aplicación

1. Abra la aplicación Animal Performance y seleccione **New Session**.
Esto creará una nueva sesión para que pueda recibir los pesos de las barras de carga inalámbricas.
2. Ingrese un nombre para la nueva sesión, (también puede elegir redactar por peso, si es necesario) y seleccione **Done**.
3. La aplicación buscará las barras de carga inalámbricas. Cuando las encuentre, el icono de la **GGL wireless L/bar** aparecerá en su pantalla.
4. Selecciónelas y después seleccione **Connect** en la parte inferior de la pantalla.

Nota: el proceso de conexión durará hasta 30 segundos mientras se realiza el emparejamiento entre las barras de carga y la aplicación móvil.

5. Una vez conectado, el peso actual se mostrará como 0,0 kg. Si no es 0,0, pulse el botón **Zero**.

Aplique algo de peso a las barras para confirmar que la conexión está funcionando.

6. Ahora puede empezar a pesar con sus barras de carga inalámbricas.

Nota: la configuración de pesaje por defecto es kg. Puede cambiarlo fácilmente a libras desde la pantalla principal, seleccione **Menu > Settings >** luego deslice las **Weight Units** de peso de kg a lb.



ESPECIFICACIONES - BARRAS DE CARGA ALÁMBRICAS

Conjuntos de barras de carga alámbricas Gallagher

Las siguientes especificaciones aplican para un conjunto de dos barras de carga.

Conjunto de barras de carga de 1500 kg	
Largo General	580 mm (22.83 pulgadas)
Peso (incluyendo cables)	17 kg (38 lb)
Capacidad:	1500 kg (3300 lb)

Conjunto de barras de carga de 2500 kg (Estándar)	
Largo General	660 mm (25.98 pulgadas); o 1060 mm (41.73 pulgadas)
Peso (incluyendo cables)	17 kg (38 lb)
Capacidad	2500 kg (5500 lb)

Conjunto de barras de carga de 5000 kg I (Reforzado)	
Largo General	1060 mm (41.73 pulgadas)
Peso (incluyendo cables)	55 kg (122 lb)
Capacidad	5000 kg (11000 lb)

Cables

Largo: 6 m (19,6 pies)

Ambiental

Temperatura Operacional	-20 a 50°C	-4 a 122°F
-------------------------	------------	------------

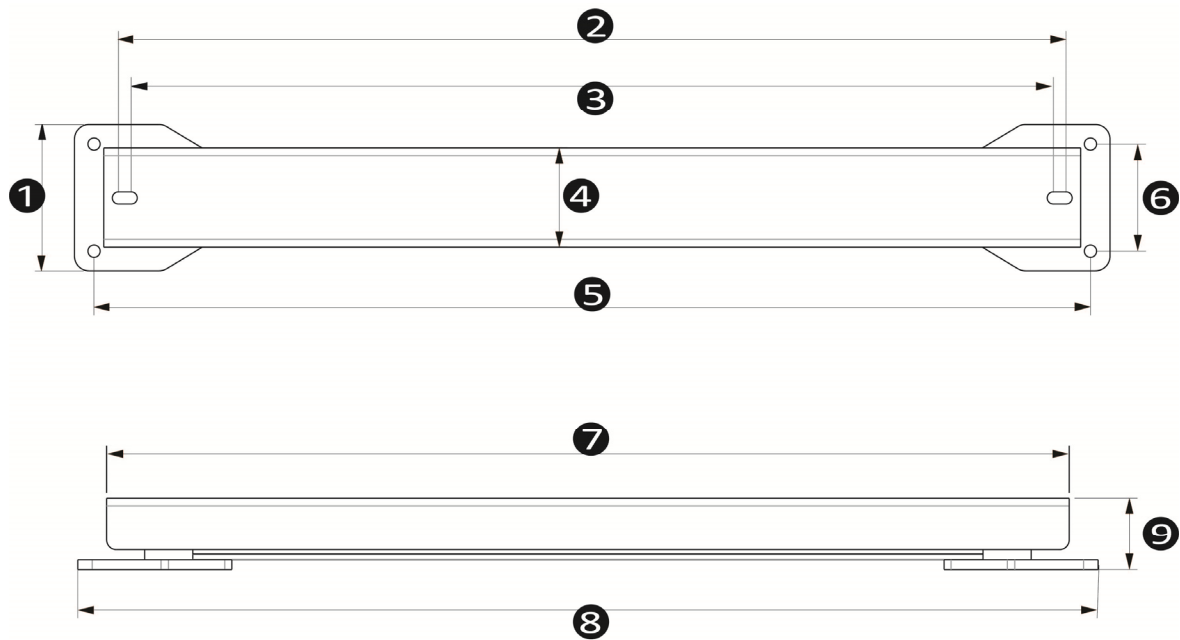
Dimensiones - Barras de carga 1500 kg



	(mm)	(pulgadas)
1	125	4.92
2	580	22.83
3	480	18.90
4	558	21.97
5	95	3.74

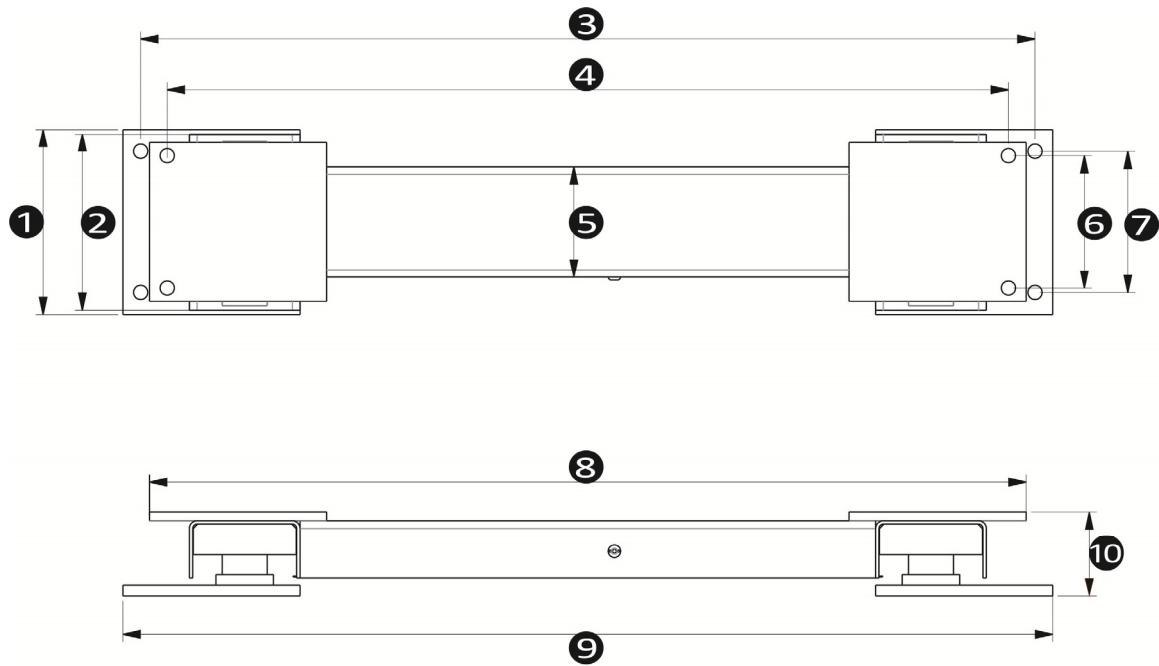
Height	95	3.74
--------	----	------

Dimensiones de barras de carga-de 2500 kg (Estándar)



	600 mm (23-pulgadas) barra de carga		1000 mm (39-pulgadas) barra de carga	
	(mm)	(pulgadas)	(mm)	((pulgadas)
1	150	5.91	150	5.91
2	570	22.44	970	38.19
3	544	21.42	944	37.17
4	102	4.02	102	4.02
5	620	24.41	1020	40.16
6	110	4.33	110	4.33
7	600	23.62	1000	39.37
8	660	25.98	1060	41.73
9	75	2.95	75	2.95

Dimensiones - Barras de carga de 5000 kg (Reforzado)



Clave	(mm)	(pulgadas)
1	210	8.27
2	200	7.87
3	1010	39.76
4	950	37.4
5	102	4.02
6	150	5.91
7	160	6.3
8	990	38.98
9	1050	41.34
10	95.1	3.74

ESPECIFICACIONES - BARRAS DE CARGA INALÁMBRICAS

Conjuntos de barras de carga inalámbricas Gallagher

Las siguientes especificaciones aplican para un conjunto de dos barras de carga.

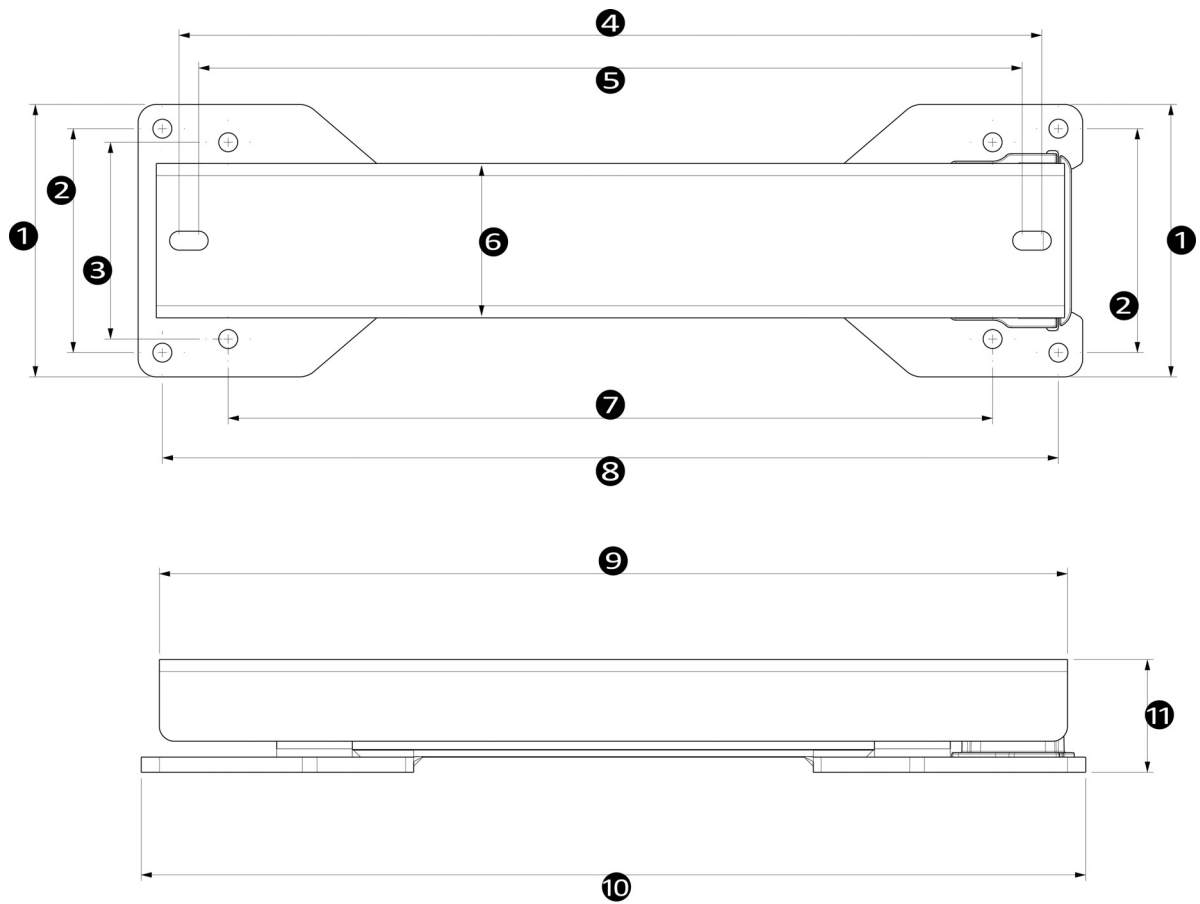
Conjunto de barras de carga de 2000 kg (Estándar)	
Largo General:	600 mm (23.62 pulgadas); o 1060 mm (41,73 pulgadas)
Peso:	600 mm barras - 17 kg (38 lb) 1000 mm barras - 25 kg (55 lb)
Capacidad:	2500 kg (5500 lb)

Conjunto de barras de carga de 5000 kg (Reforzado)	
Largo General:	1060 mm (41,73 pulgadas)
Peso:	55 kg (122 lb)
Capacidad:	5000 kg (11000 lb)

Ambiental

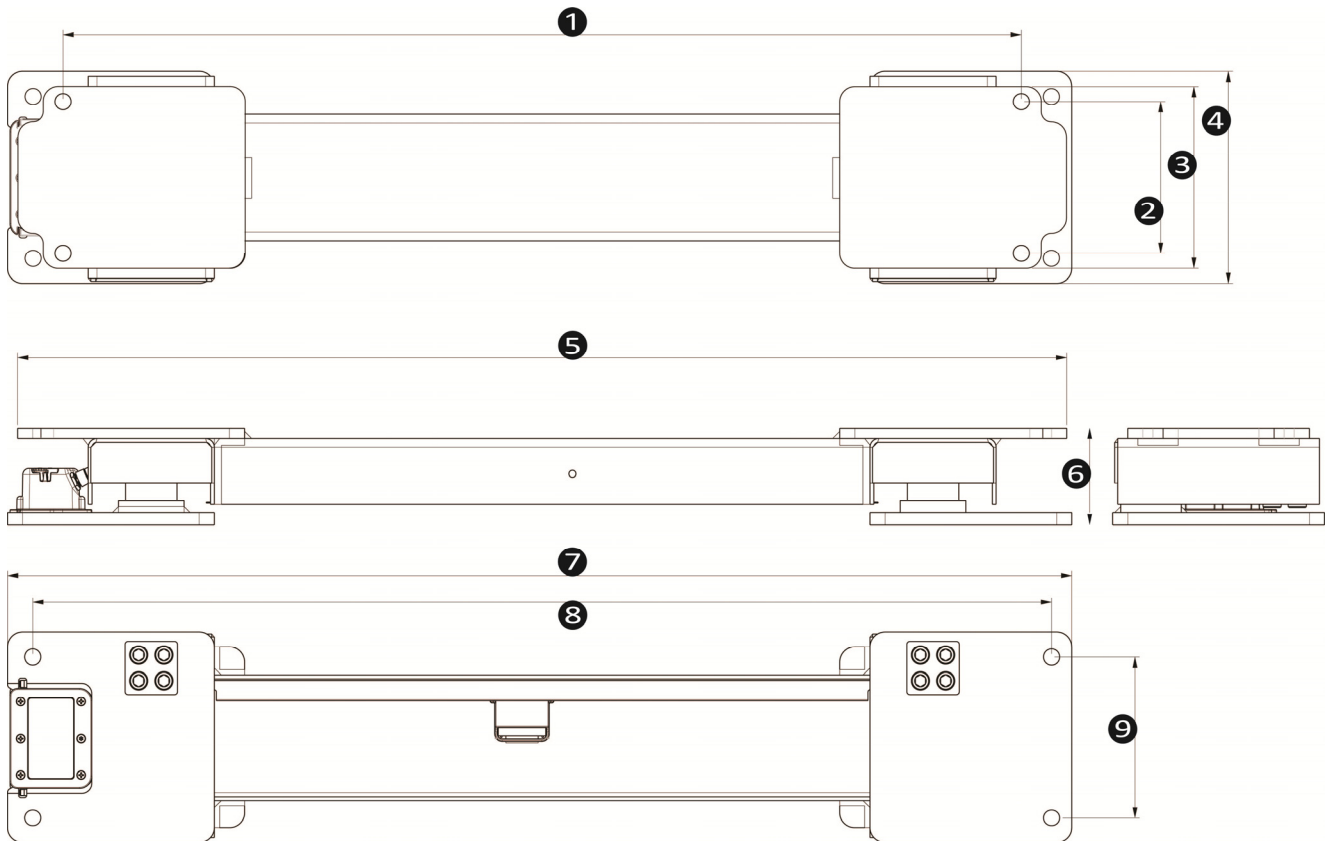
Temperatura Operacional	-20 a 50°C	-4 a 122°F
-------------------------	------------	------------

Dimensiones: barras de carga inalámbricas de 2500 kg



	Barra de carga de 600 mm (23 pulgadas)		Barra de carga de 1000 mm (39 pulgadas)	
	(mm)	(pulgadas)	(mm)	(pulgadas)
1	180	7.08	180	7.08
2	148	5.82	148	5.82
3	130	5.12	130	5.12
4	570	22.44	970	38.19
5	544	21.42	944	37.17
6	102	4.02	102	4.02
7	505	19.88	905	35.63
8	592	23.30	992	39.05
9	600	23.62	1000	39.37
10	624	24.57	1024	40.31
11	75	2.95	75	2.95

Dimensione: barras de carga inalámbricas de 5000 kg (Reforzado)



	(mm)	(pulgadas)
1	950	37.40
2	150	5.90
3	180	7.08
4	210	8.27
5	1040	40.94
6	148	5.82
7	1055	41.53
8	1010	39.76
9	180	7.08

INTRODUÇÃO

Obrigado por adquirir o conjunto de Barras de Carga Gallagher. A Gallagher produz equipamentos de pesagem para a agricultura há mais de 60 anos e conquistou sua reputação pela qualidade de seus equipamentos, que resistem a condições agrícolas severas.

A série de sistemas de pesagem da Gallagher é simples, resistente, inovadora e confiável.

Todas as Balanças da série Gallagher podem ser combinadas com um sistema de Barras de Carga, assim como a série de plataformas e troncos para promover um sistema de pesagem preciso e confiável.

Embora seja designada especificamente para a agricultura, a série Gallagher também pode ser aplicada em diversos ramos industriais.

As balanças e Barras de Pesagem da Gallagher não são certificadas para uso comercial.

SELECIONANDO UM LOCAL

A escolha cuidadosa do local de instalação dos equipamentos é essencial para garantir a precisão do resultado da pesagem. Você precisa decidir onde a Balança e as Barras de Carga serão instaladas.

Para Barras de Carga Com Fio: A distância máxima entre a Balança e as Barras de Carga será determinada pelo comprimento dos cabos das Barras de Carga. Posicione os cabos de forma que eles não estejam sujeitos a danos mecânicos.

Para Barras de Carga Sem Fio: A barra de carga pode ser posicionada a até 10 metros de distância de onde a balança será operada. Esta distância dependerá se há um caminho sem obstrução entre a barra de carga e a balança ou dispositivo móvel, para uma conexão sem interrupções.

Importante:

Este produto não é adequado para uso em ambientes severos ou corrosivos (por exemplo, instalações de chiqueiros ou similares).

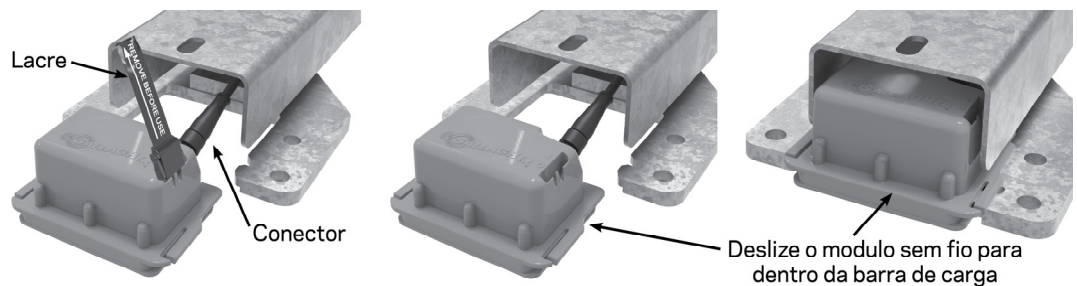
Posicionando a Balança

Considere os seguintes tópicos na hora de escolher um lugar para a Balança.

- Não monte a Balança sobre o tronco;
- Assegure-se de que a Balança e seu operador não irão interferir no fluxo de animais;
- Assegure-se de que há iluminação adequada que possibilite a leitura da tela da Balança;
- Se você pretende realizar as pesagens manualmente, mantenha a Balança próxima o suficiente do tronco para que os controles de barreira do tronco possam ser facilmente alcançados.

CONFIGURANDO A BARRA DE CARGA SEM FIO

1. Remova a capa protetora do terminal do conector que se estende do final de cada barra de carga.
2. Conecte o módulo laranja de cada barra de carga sem fio à extremidade do conector.
3. Remova o lacre do módulo. Removendo o lacre ligará o módulo antes do primeiro uso. O módulo permanecerá ligado por toda a vida do produto. Nota: Módulos de barra de carga sem fio podem ser conectados antes ou depois da instalação das barras de carga. Veja *Instalando as Barras de Carga* para informações em como montar as barras de carga na plataforma.
4. Deslize o módulo sem fio para dentro da barra de carga até que se encaixe corretamente.



A barra de carga sem fio está preparada para operar com:

- O aplicativo Gallagher Performance Animal no seu dispositivo móvel, ou
- O W-1 e a linha de balanças TW da Gallagher.

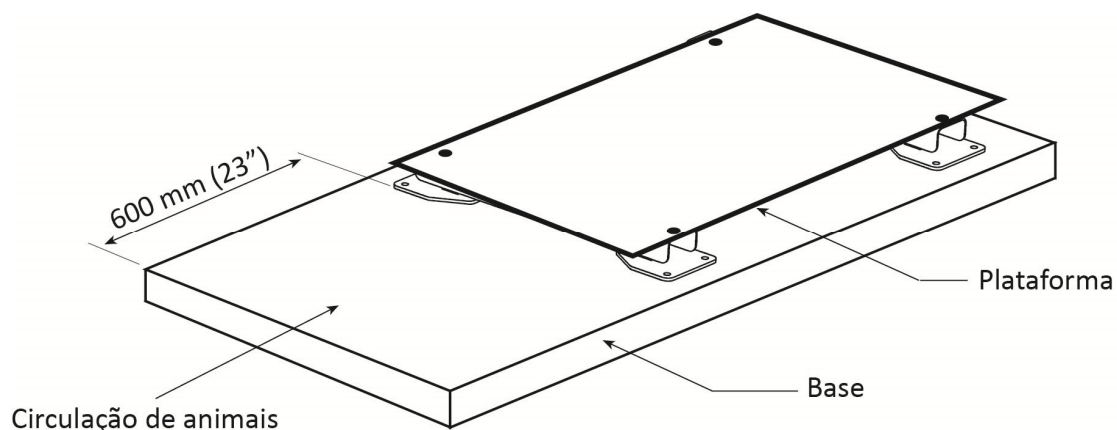
POSICIONANDO AS BARRAS DE CARGA

Considere os seguintes tópicos na hora de escolher um lugar para as Barras de Carga:

- Monte as Barras de Carga e a plataforma sem obstruções como as estacas de cercas;
- O local deve ser nivelado;
- Provisione uma base. Recomenda-se um bloco de concreto. Barras de carga podem ser montadas numa placa rígida.

Dica: Construa a base de forma que ela se estenda por pelo menos 600 mm (23 in) antes da plataforma. Isto irá forçar o animal a pisar na base antes de se mover para a plataforma de pesagem e reduzirá o acúmulo de sujeira, lama, etc, na plataforma.

- Não rebaixe as Barras de Carga nas calhas da base. As calhas são propensas a encher-se com água e lama.



Nota:

A montagem das barras de carga numa superfície irregular ou a falta de garantia da segurança da plataforma pode resultar em erros de pesagem.

INSTALANDO AS BARRAS DE CARGA

Nota:

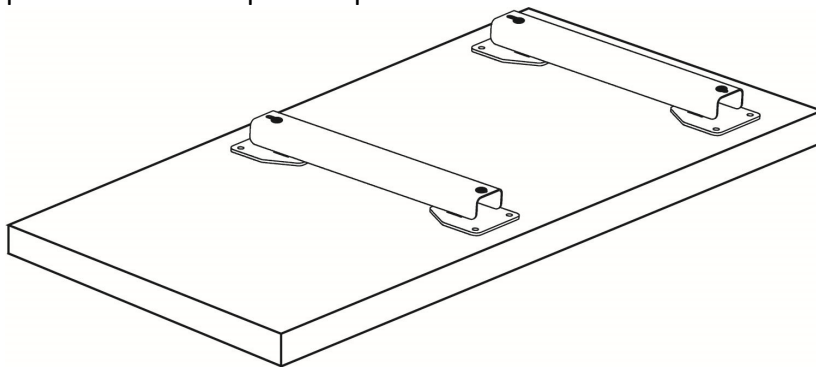
Não utilize soldador de arco na plataforma e nas barras de carga. O uso de um soldador de arco pode danificar as células de carga.

1. Posicione as barras de carga na base para se adequarem à plataforma ou ao tronco. As barras de carga devem ser posicionadas o mais próximo possível do final da plataforma ou tronco.



Importante para barra de carga sem fio:

Para a correta comunicação do módulo sem fio (caixa laranja) no final da barra de carga, estes devem estar posicionados no mesmo lado da plataforma virado para o operador.

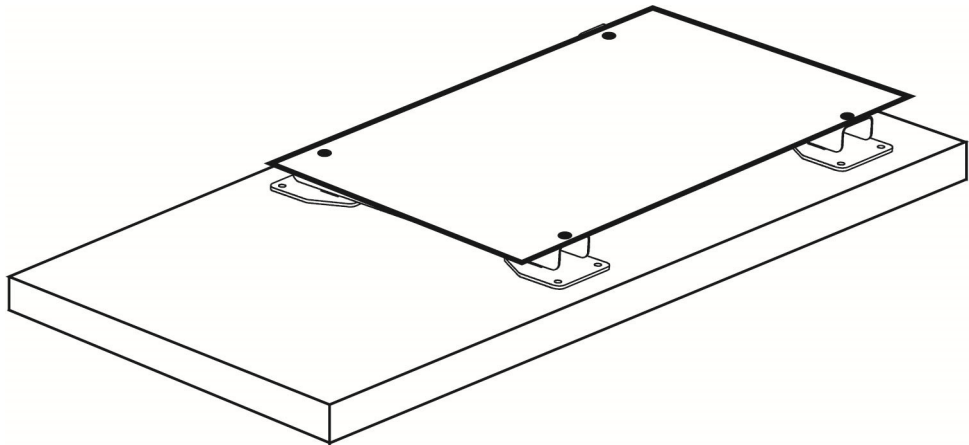


2. Assegure-se de que os pés das barras de carga estão posicionados de forma plana na placa ou bloco de concreto.
3. Recomenda-se que as barras de carga sejam fixadas na base. Para fixar as barras de carga, siga os seguintes passos:
 - Marque os furos dos pés das barras de carga na base;
 - Fure e coloque prendedores de acordo com o tipo de base. Dynabolts™ podem ser usados em bases de concreto; parafusos, porcas e arruelas podem ser utilizados na base;
 - Aperte os prendedores para fixar as barras de carga na base.

Nota:

Assegure-se de que a estrutura das barras de carga não entorte ou distorça enquanto os prendedores são apertados. Se os pés das barras de carga não se posicionarem plenamente na base, rejunte a superfície para adequá-la.

4. Fixe o tronco ou plataforma às barras de carga utilizando os prendedores fornecidos.



CUIDADOS E MANUTENÇÃO

As barras de carga Gallagher foram projetadas para uso em ambiente pecuário, portanto são resistentes e confiáveis. No entanto, os cuidados e manutenções adequados podem prolongar sua vida-útil.

Nota: Este produto não é adequado para uso em ambientes severos ou corrosivos. (por exemplo, instalações de chiqueiros ou similares).

Segue abaixo uma lista de dicas e orientações para a manutenção das barras de carga.

- Embora as Barras de Carga Gallagher sejam à prova d'água, recomenda-se que elas não sejam mergulhadas em água;
- Os cabos devem ser posicionados de modo que não sejam pisados ou esmagados. Coloque os cabos dentro de um duto para prevenir danos;
- Para prevenir que poeira e umidade entrem nos cabos, substitua as tampas contra poeira imediatamente depois que o plugue das barras de carga for desconectado da balança;
- Qualquer barra de carga com cabos danificados deve ser devolvida para o Gallagher Service Centre para conserto. Cabos partidos ou danificados podem afetar o desempenho das barras de carga. Se for necessário realizar reparos de emergência, o cabo danificado deve ser envolvido com fita isolante;
- A plataforma e as barras de carga devem ser limpas após o uso. Com uma mangueira, retire toda a sujeira e lama, para prevenir corrosão;

Importante: Quando limpar as barras de carga, não direcione o jato de água na área da célula de carga.

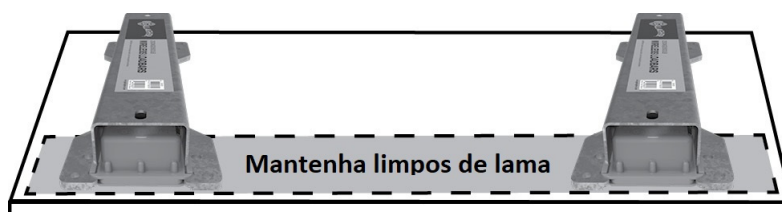
- Se as barras de carga não forem instaladas permanentemente, elas devem ser armazenadas num local seco.

Dica: Corte o topo de um grande recipiente de plástico, como por exemplo, um recipiente de administração de líquidos. Prenda o recipiente de cabeça para baixo (ou seja, com a abertura para baixo).

Quando os cabos das barras de carga não estiverem em uso, eles podem ser enrolados e pendurados numa haste dentro do recipiente container.

Importante para Barra de Cargas Sem Fio:

- ⚠ Mantenha os módulos da barra de carga sem fio e a área entre os módulos da barra de carga, limpos de lama e sujeira.



USANDO AS BARRAS DE CARGA SEM FIO

As barras de carga sem fio Gallagher podem ser utilizadas com:

- o aplicativo Performance Animal no seu celular ou tablet, usando uma assinatura Performance Animal Plus, ou
- W-1 da Gallagher e a linha de balanças TW.

O aplicativo Performance Animal

Usando um celular ou tablet:

1. Busque e instale o aplicativo Performance Animal Gallagher no Google Play ou na App Store.



2. Faça o login com a sua conta Gallagher ou selecione **Sign Up Now** para criar uma conta no seu aplicativo para celular seguindo as instruções na tela.



Importante: Se você já tiver uma conta Gallagher para sua cerca ou uma conta para o website, por favor use estes.

3. Faça uma assinatura do Performance Animal **Plus** para se conectar às barras de carga sem fio.

Atualização das Barras de Carga Sem Fio

Garanta que as barras de carga tenham a última atualização instalada.

Nota: Não é necessária uma assinatura Performance Animal Plus para atualizar o produto.

1. No seu aplicativo para celular, selecione **Menu > Device Configuration**. O aplicativo fará uma busca pelas barras de carga.
2. Após a busca, selecione a barra de carga sem fio e **Connect**.
Nota: O processo de conexão pode levar até 30 segundos enquanto o pareamento entre a barra de carga e o aplicativo é feito.
3. Se uma atualização é necessária, siga os passos na tela.

Conectando a barra de carga sem fio a uma balança W-1 ou TW

1. Na sua balança, selecione **Ajustes > Conexões do Equipamentos > Barras de Carga** e selecione **Sem fio**. A balança fará uma busca pelas barras de carga.
2. Após a busca, selecione a barra de carga sem fio e **Conectar**.
Nota: O processo de conexão pode levar até 30 segundos enquanto o pareamento entre a barra de carga e a balança é feito.
3. Após conectado, selecione **Feito**. Quando a barra de carga sem fio se conectar a balança, o ícone Bluetooth® no canto inferior da tela será ativado em laranja.
4. Crie uma nova sessão selecionando **Novo > Início Rápido**. O peso atual será exibido como 0.0kg. Se não for 0.0, pressione o botão **Zerar**. Aplique um peso às barras para confirmar o funcionamento.

Conectando a barra de carga sem fio ao aplicativo

1. Abra o aplicativo Performance Animal e selecione **New Session**.
Uma nova sessão será criada para receber os pesos da barra de carga sem fio.
2. Digite um nome para a nova sessão, (você também pode selecionar seleção por peso se necessário) e selecione **Done**.
3. O aplicativo fará uma busca pela barra de carga sem fio. Após a busca, o ícone **GGL wireless L/bar** aparecerá na tela.
4. Selecione o ícone e após **Connect** no canto inferior da tela.
Nota: O processo de conexão pode levar até 30 segundos enquanto o pareamento entre a barra de carga e o aplicativo é feito.
5. Após conectado, o peso atual será exibido como 0.0kg. Se não for, pressione o botão **Zero**.
Aplique um peso às barras para confirmar o funcionamento.
6. Você pode agora começar a pesar com a sua Barra de Carga Sem Fio.

Note: A unidade de peso padrão é kg. É possível modificar facilmente a unidade para libras, a partir da tela inicial selecione **Menu > Settings >** e deslize a Weight Units de kg para lb.



ESPECIFICAÇÕES - BARRAS DE CARGA COM FIO

Conjuntos de Barras de Carga Gallagher

As especificações abaixo são aplicadas para um conjunto de duas barras de carga.

Conjunto de Barras de Carga de 1500 kg	
Comprimento total:	580 mm (22.83 polegadas)
Peso: (incluindo cabos)	55 kg (122 lb)
Capacidade	5000 kg (11000 lb)

Conjunto de Barras de Carga de 2500kg (Pesado)	
Comprimento total:	660 mm (25,98 polegadas) 1060 mm (41,73 polegadas)
Peso: (incluindo cabos)	600 mm bars - 17 kg (38 lb) 1000 mm bars - 25 kg (55 lbs)
Capacidade:	2500 kg (5500 lb)

Conjunto de Barras de Carga de 5000kg (Super pesado)	
Comprimento total:	1060 mm (41,73 polegadas)
Peso (incluindo cabos)	55 kg (122 lb)
Capacidade:	5000 kg (11000 lb)

Cabos

Comprimento: 6 m (19,6 ft)

Ambiente

Temperatura de operação:	-20 to 50°C	-4 to 122°F
--------------------------	-------------	-------------

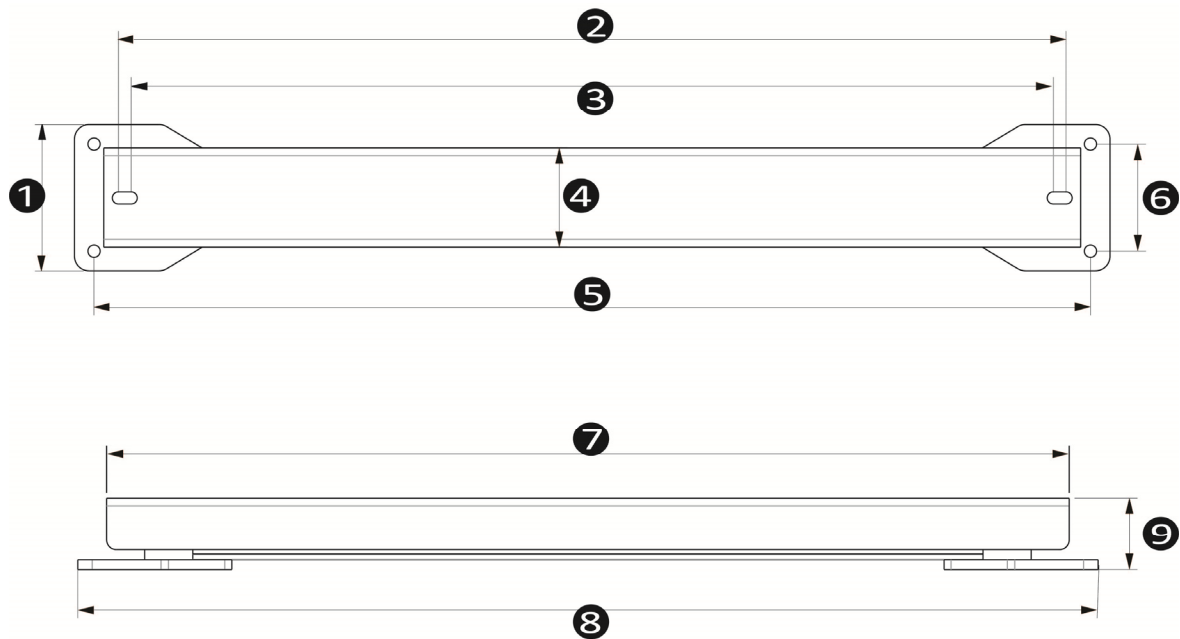
Dimensões - Barras de carga com fio de 1500 kg



	(mm)	(Polegadas)
1	125	4,92
2	580	22,83
3	480	18,90
4	558	21,97
5	95	3,74

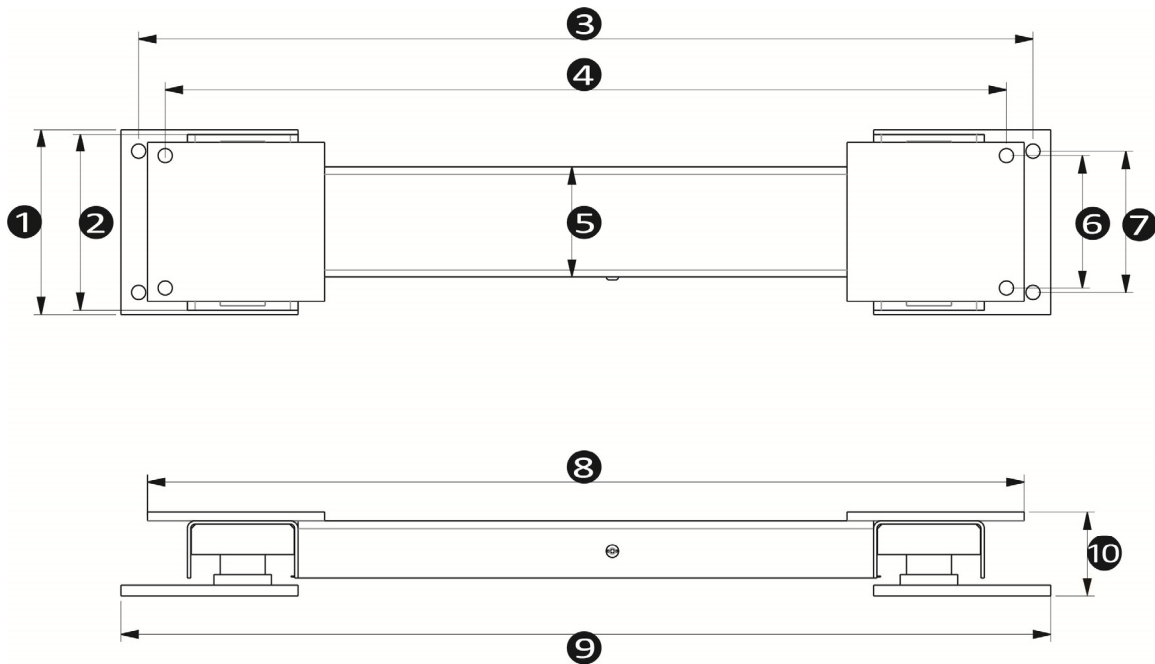
Altura	95	3,74
--------	----	------

Dimensões - Barras de carga padrão de 2500 kg



	Barra de carga de 600 mm (23-polegadas)		Barra de carga de 1000 mm (39-polegadas)	
	(mm)	(Polegadas)	(mm)	(Polegadas)
1	150	5,91	150	5,91
2	570	22,44	970	38,19
3	544	21,42	944	37,17
4	102	4,02	102	4,02
5	620	24,41	1020	40,16
6	110	4,33	110	4,33
7	600	23,62	1000	39,37
8	660	25,98	1060	41,73
9	75	2,95	75	2,95

Dimensões - Barras de carga pesadas de 5000 kg



	(mm)	(Polegadas)
1	210	8,27
2	200	7,87
3	1010	39,76
4	950	37,4
5	102	4,02
6	150	5,91
7	160	6,3
8	990	38,98
9	1050	41,34
10	95,1	3,74

ESPECIFICAÇÕES - BARRA DE CARGA SEM FIO

Conjuntos de Barras de Carga Gallagher

As especificações abaixo são aplicadas para um conjunto de duas barras de carga.

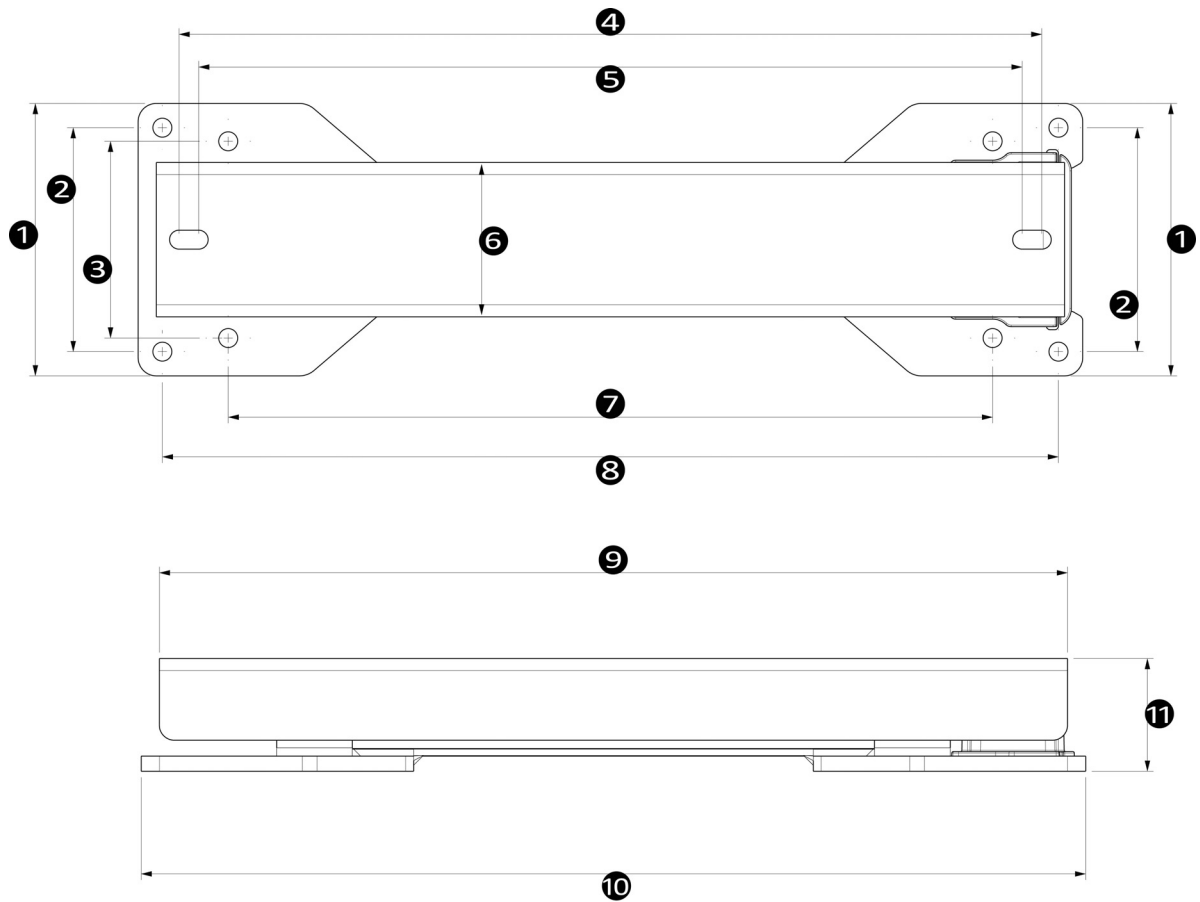
Conjunto de Barras de Carga de 2500kg (Pesado)	
Comprimento total:	660 mm (25,98 polegadas) 1060 mm (41,73 polegadas)
Peso (incluindo cabos)	600 mm bars - 17 kg (38 lb) 1000 mm bars - 25 kg (55 lbs)
Capacidade:	2500 kg (5500 lb)

Conjunto de Barras de Carga de 5000kg (Super pesado)	
Comprimento total:	1060 mm (41,73 polegadas)
Peso (incluindo cabos)	55 kg (122 lb)
Capacidade:	5000 kg (11000 lb)

Ambiente

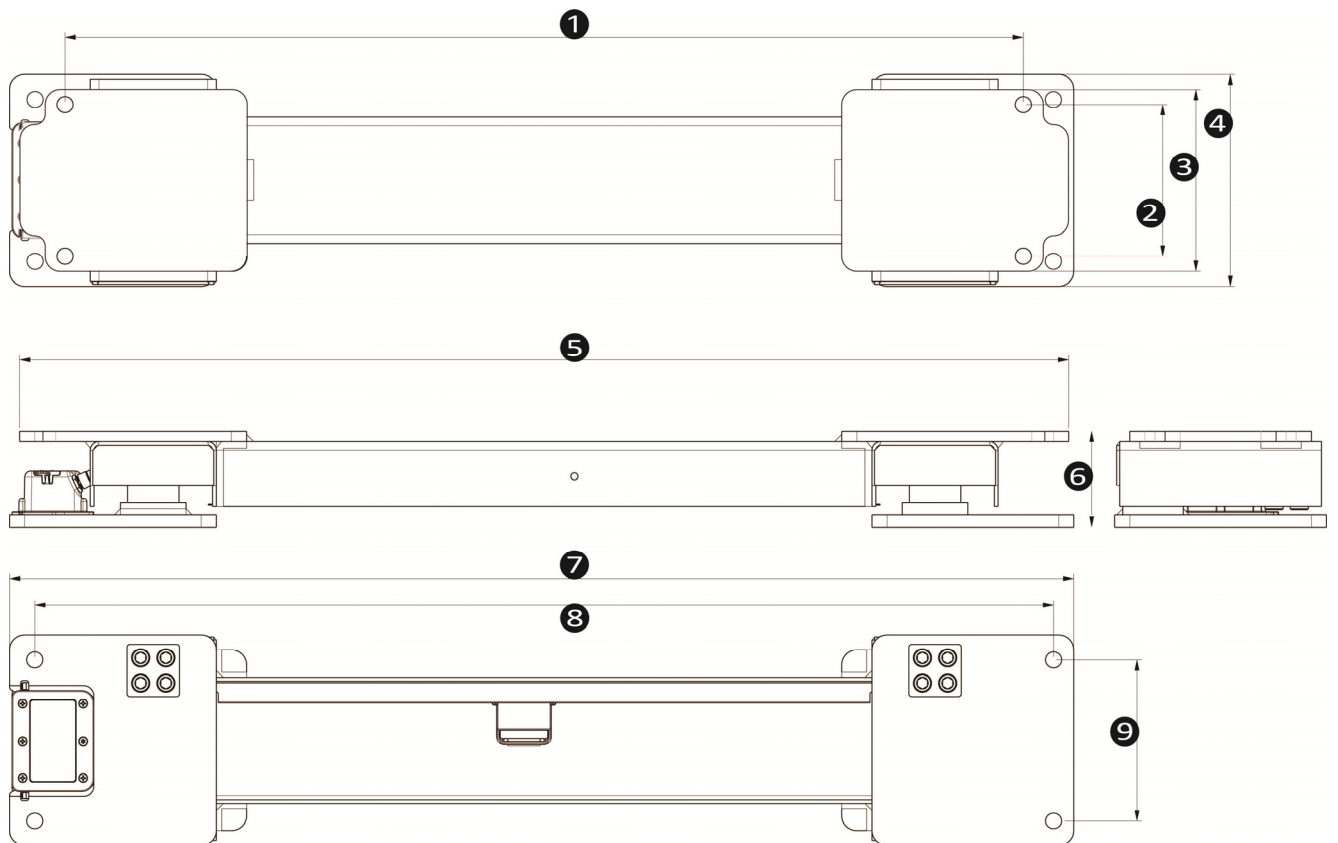
Temperatura de operação:	-20 to 50°C	-4 to 122°F
--------------------------	-------------	-------------

Dimensões - Barra de carga sem fio de 2500 kg



	Barra de carga de 600 mm (23-in)		Barra de carga de 1000 mm (39-in)	
	(mm)	(Polegadas)	(mm)	(Polegadas)
1	180	7,08	180	7,08
2	148	5,82	148	5,82
3	130	5,12	130	5,12
4	570	22,44	970	38,19
5	544	21,42	944	37,17
6	102	4,02	102	4,02
7	505	19,88	905	35,63
8	592	23,30	992	39,05
9	600	23,62	1000	39,37
10	624	24,57	1024	40,31
11	75	2,95	75	2,95

Dimensões - Barra de carga sem fio de 5000 kg



	(mm)	(polegadas)
1	950	37.40
2	150	5.90
3	180	7.08
4	210	8.27
5	1040	40.94
6	148	5.82
7	1055	41.53
8	1010	39.76
9	180	7.08

www.gallagher.com

Gallagher Private Bag 3026, Hamilton, New Zealand